



PROJECT		REF		REV	ITEM CODE	
LOCATION		DATE			PAGE	

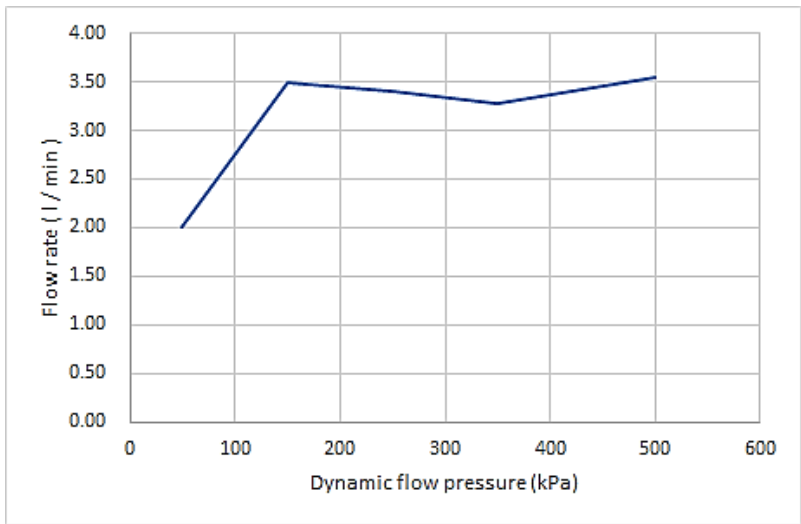
SANITARY WARE SPECIFICATION SHEET

Item Descriptions	American Standard (PRC) "Lux" Chrome plated wall mounted sensor faucet (Integrated) top access replacement of batteries; DC supply; nominated flow rate 3.4 l/min in WELS Grade 2; Registration No. TN 18-0032
Dimensions	238mm long projection
Model	CF-8837.000.50 (Mixer) 40.7458.010 (Aerator)
Finish	Chrome Plated
Manufacturer	American Standard (PRC)
Source	Acme Sanitary Ware Co. Ltd Mr. Eric Wong/ Mr. Don Yuen
Contact Tel/Fax	(852) 2388-7171 / (852) 2710-8012
E-mail	acme@acmesanitary.com.hk
Website	www.acmesanitary.com.hk

Illustration/ Drawing

Aerator
Sensor Eye

Sensor Window



Dynamic pressure (kPa)	50	150	250	350	500
Flow rate (l/min)	2.00	3.50	3.40	3.28	3.55

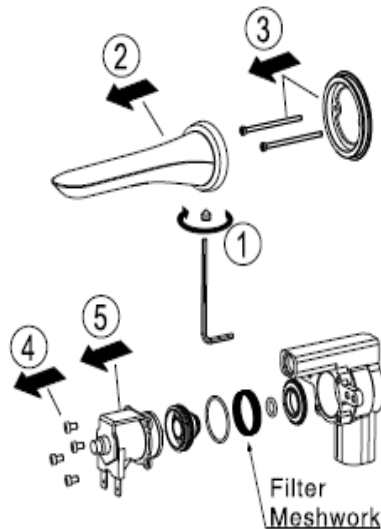
Note:

* All information of the above is for the reference only. No prior notice is made if any changes.

Care & Maintenance

1. Filter for Care & Maintenance

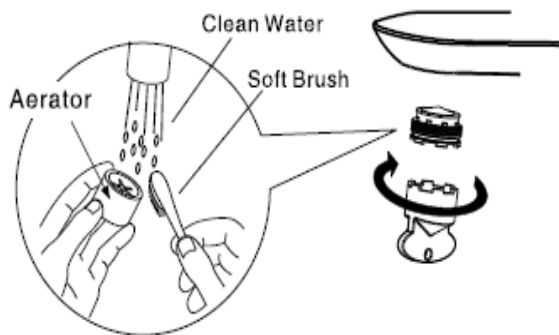
The Stop Valve of this sensor faucet has equipped with good quality filter, But the impure water or impuring in the water pipe will affect the water flow, in this condition, you should clean the filter, the process is as below:



CF-8837 / CF-8838

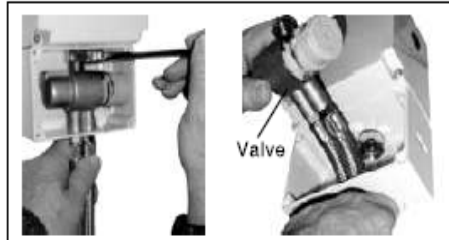
If necessary, you could clean the aerator too as per below step

- 1). Screw off the Aerator from the Spout.
- 2). Clean the Aerator with water.
- 3). Reinstall the Aerator to the Spout.



2. Temperature Calibration Unit for Care & Maintenance

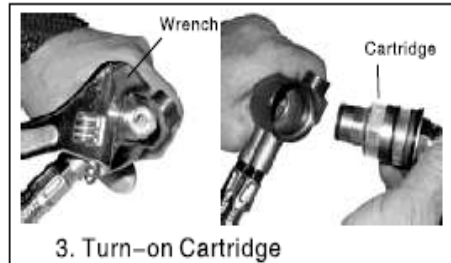
* If you want to change the parts or clean the inner of Temperature Calibration Unit, Please follow the steps in the above to remove the parts, then proceed the next steps.



1. Open the Box, Take out the Valve



2. Take out the Black Clamp and Temperature Calibration Unit



3. Turn-on Cartridge



4. Use Clean Water Cleanout the Dirt, If the O-ring have attaint , Please update the O-ring.

Usage(CF-8837/8838)



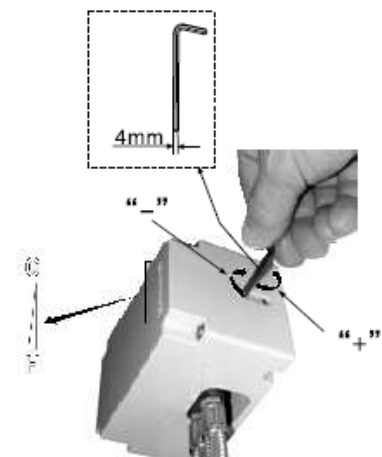
Waiting



Put hand into the sensor window, Sensor detects and water come out automatically

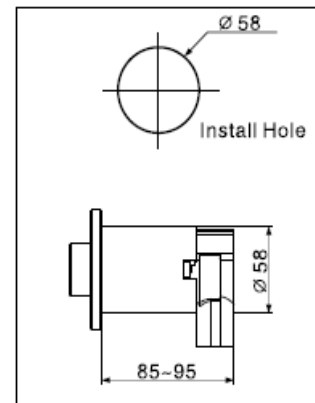
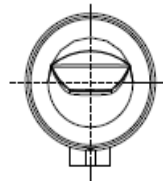
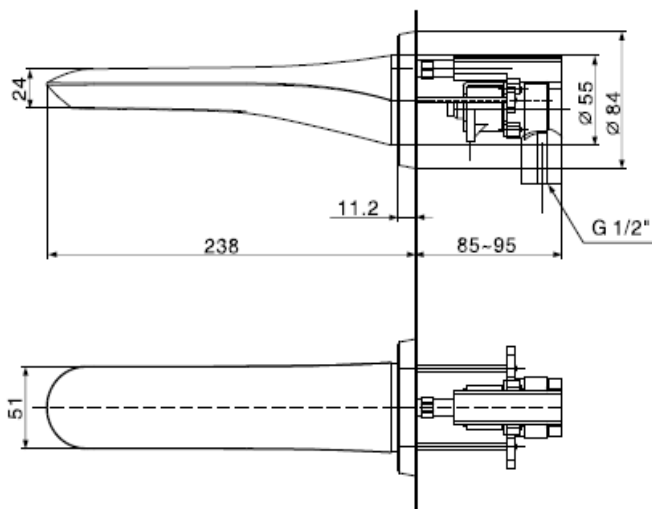
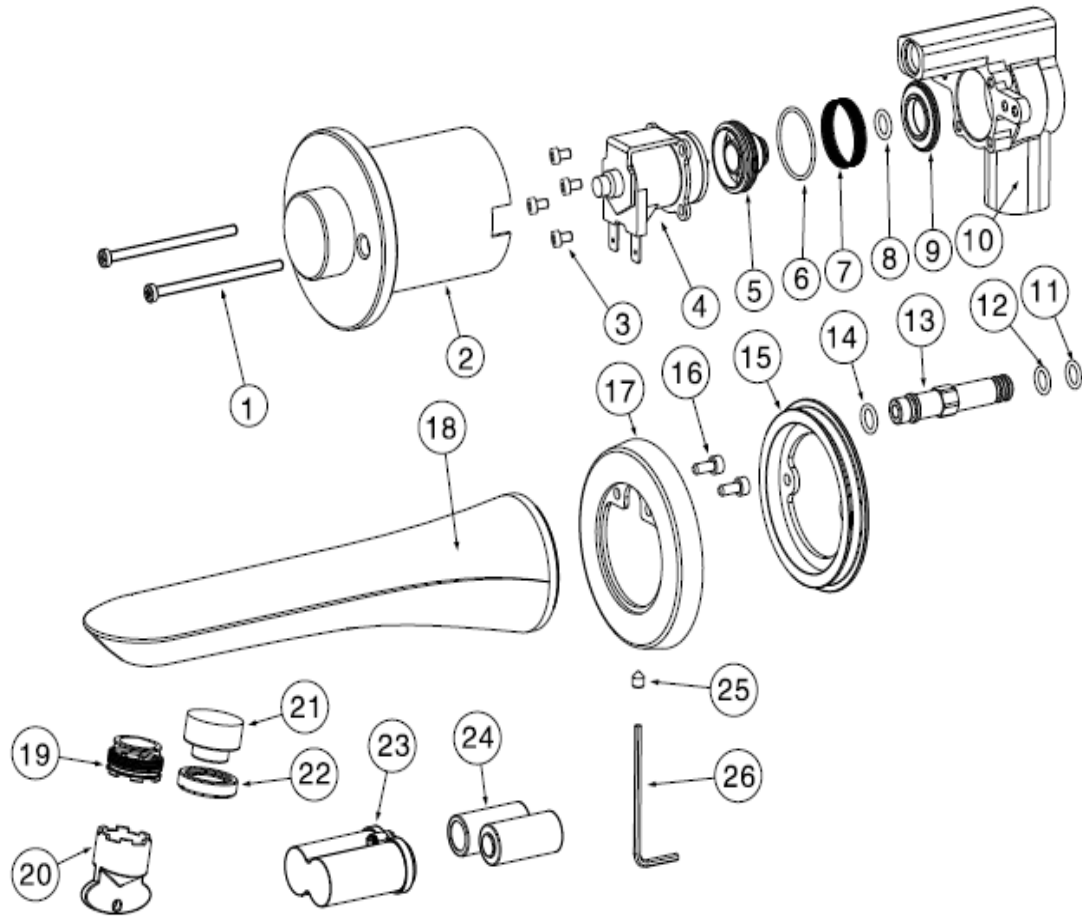


Waiting



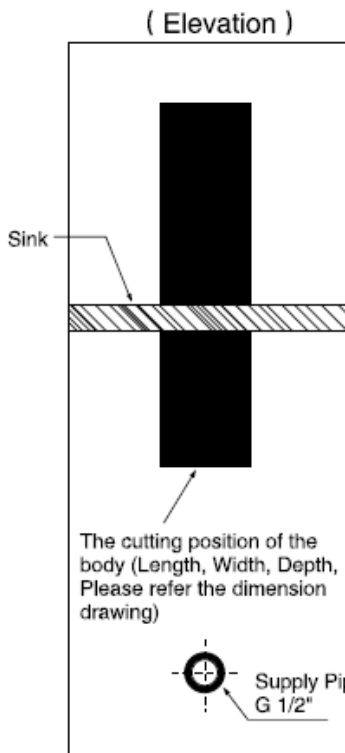
Adjustment the Temperature Calibration Valve

Parts List / Dimensions (CF-8837.000.50)

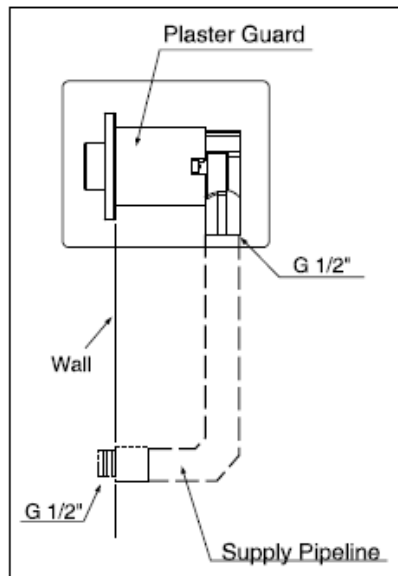


Parts List	No.	Part Noame	Q'ty	No.	Part Noame	Q'ty
	1	Screw	1	14	O-Ring	3
2	Plaster Guard	1	15	Seat	1	
3	Screw	4	16	Screw	2	
4	Solenoid Valve	1	17	Escutcheon	1	
5	Seat	1	18	Spout	1	
6	O-Ring	1	19	Aerator	1	
7	Filter Meshwork	1	20	Wrench	1	
8	O-Ring	1	21	Sensor	1	
9	Seat	1	22	Nut	1	
10	Control Body	1	23	Battry Box	1	
11	O-Ring	3	24	battry(3V)	2	
12	O-Ring	3	25	Screw	1	
13	Linker	1	26	In-hex Wrench	1	

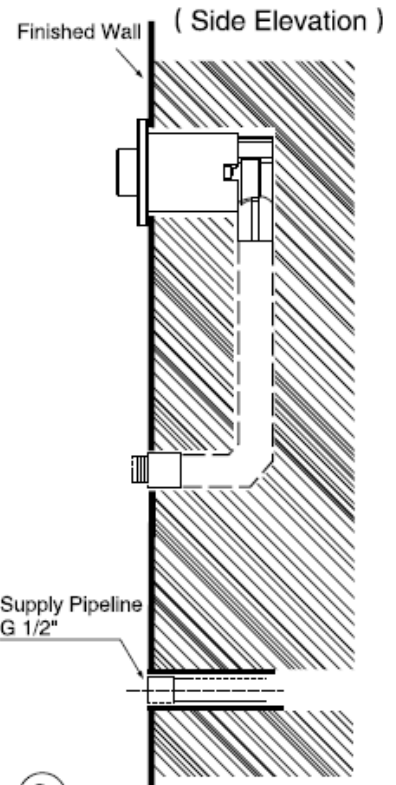
3 Lay Pipeline (CF-8837)



- 1 Consult the dimension drawing and confirm the position of the body and pipe; Cut the rabbet of the body's position.

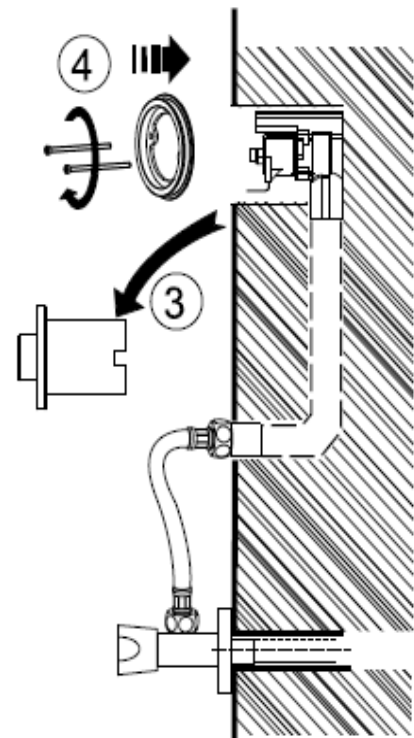
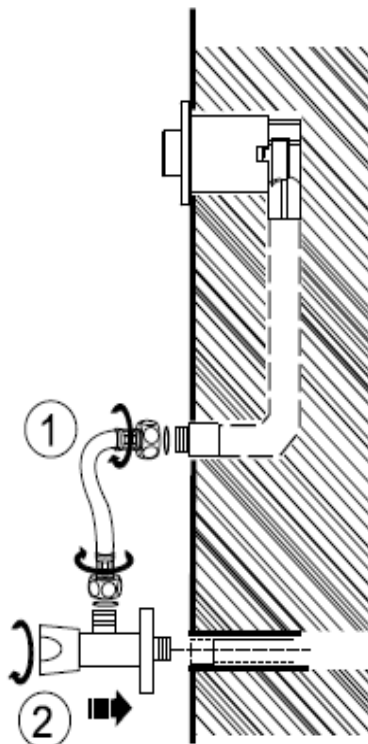


- 2 Connect Pipeline to the body.



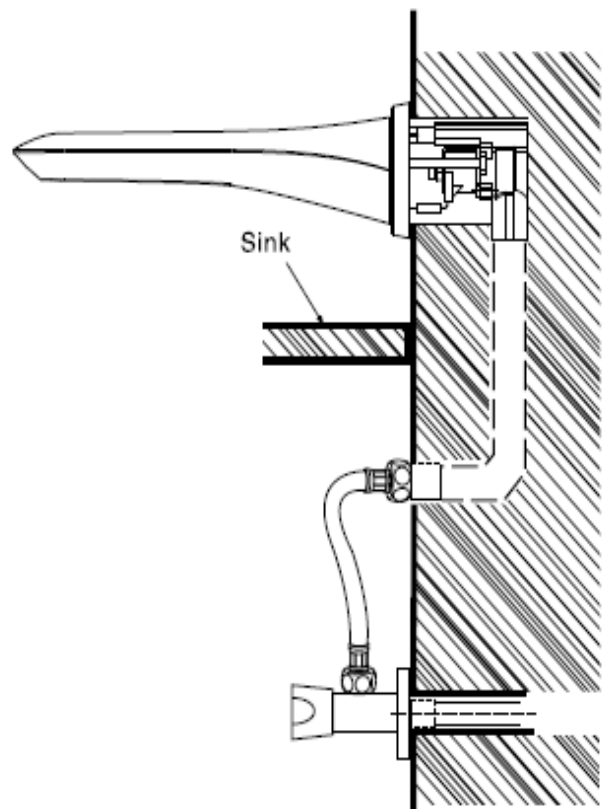
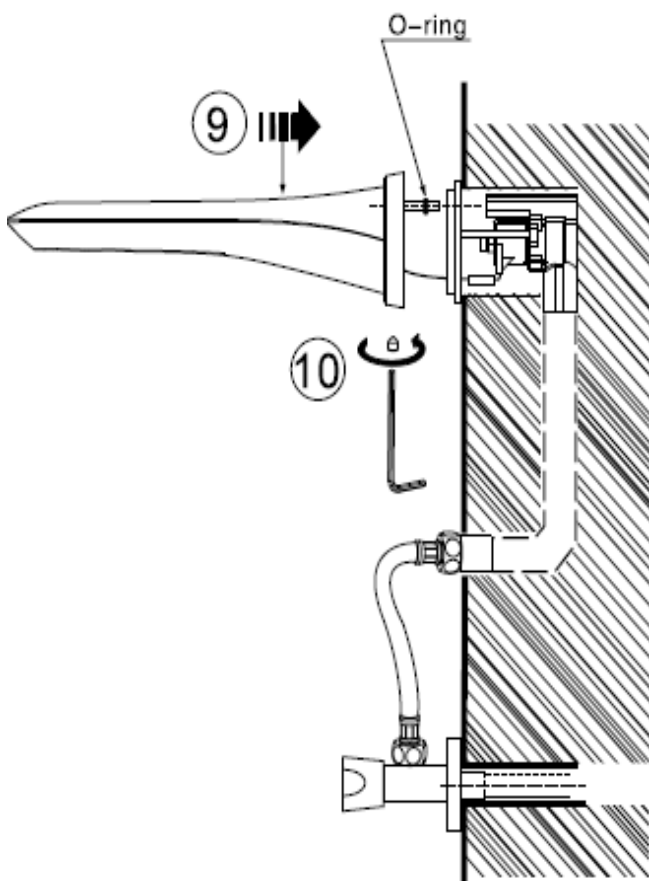
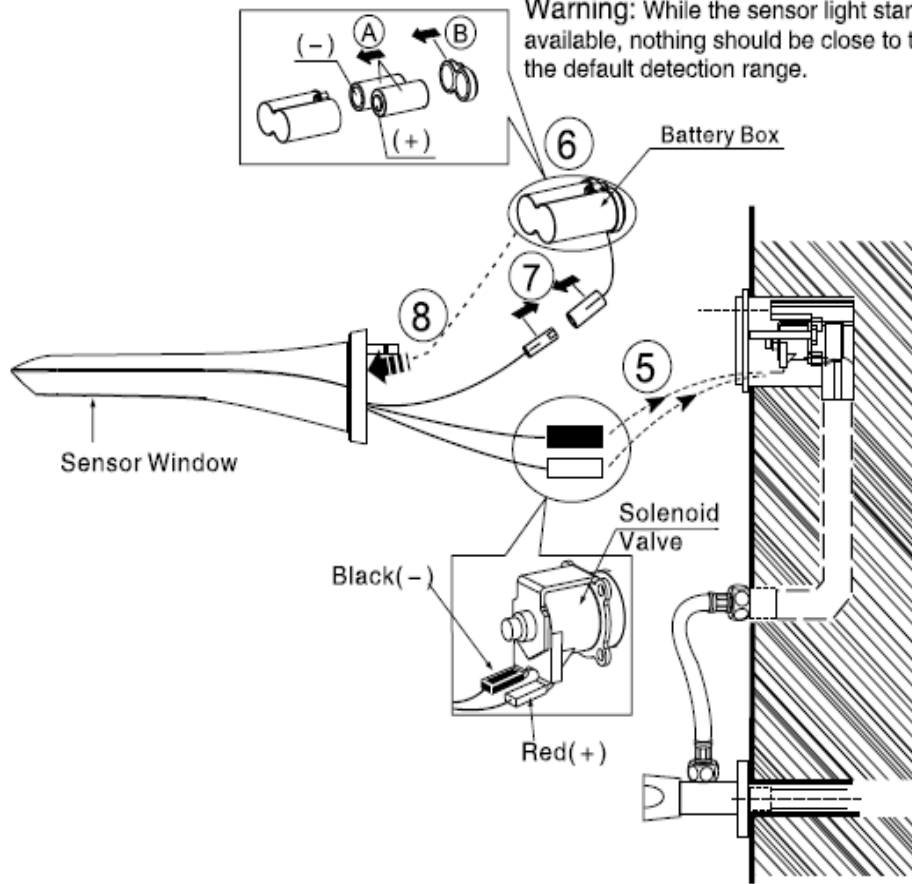
- 3 Install the pipes in the rabbet with the well connected pipes. Make sure there is no leakage and then repair the wall.

4 Install (CF-8837)



4 Install (CF-8837)

Warning: While the sensor light starts flashing after power is available, nothing should be close to the sensor to avoid changing the default detection range.



註冊號碼 (Registration No.): TN 18-0032




自願參與用水效益標籤計劃 - 水龍頭
Voluntary Water Efficiency Labelling Scheme - Water Taps



茲證明
This is to certify that

將下列水龍頭在本計劃內註冊：
has registered the following water tap under this scheme :

牌子 / Brand	:	American Standard
型號 / Model	:	CF-8837.000.50 + 40.7458.010
種類 / Type	:	Non-mixing
原產地 / Country or Region Origin	:	China

在用水效益標籤上展示的標誌 <i>Symbolic Presentation on the Water Efficiency Label</i>	:		滴水點 <i>Water droplet(s)</i>
用水效益級別 <i>Water Efficiency Grade</i>	:	2	with additional merit*
耗水量 <i>Water Consumption</i>	:	3.4	公升/分鐘 <i>litres/minute</i>

*with additional merit of "Automatic closing mechanism"

簽發日期: 6 July 2018
Date of Issue:

 水務署
Water Supplies Department



水務署署長(周世威代行)
for Director of Water Supplies



Department

入境事務大樓 48 樓
48/F, Immigration Tower, 7 Gloucester Road, Wan Chai, Hong Kong

本署檔號 : (2) in WSD 3321/2020 T/J(911/2020)
Our ref. :
來函檔號 :
Your ref. :

電話 :
Tel. :
傳真 : 2824 0578
Fax. :

15 September 2020

Approval of "AMERICAN STANDARD" Sensor Tap (General Acceptance No. C20200803)

Your letter ref. WRC/2285 dated 17 July 2020 refers.

Having considered the test report ref. J25356 issued on 7 July 2020 by Nutek Systems (HK) Ltd., this Authority accepts that the fitting described below complies with, and its use when correctly installed does not contravene, the Waterworks Ordinance and Regulations.

Name of Manufacturer: American Standard
Country of Origin: the Mainland of China
Brand: American Standard
Details of Fitting: 1/2" Wall mounted sensor tap
Model: CF-8837.000.50
Body Markings: *American Standard*
Expiry Date: 8 June 2025



This Authority hereby permits the use of the above fitting in fresh water plumbing systems subject to full adherence to Waterworks installation requirements. In particular, you are required to draw your customers' attention to the following requirement-

"A stop cock or gate valve must be installed at the upstream of the fitting for manual isolation of water supply." AND

"The main voltage operated sensor valve should comply with the electricity safety regulation for applications in bathroom, toilet etc."

A condition of this acceptance is that the fitting to be installed shall be replicas of the sample as certified by the testing agent mentioned above and without modifications. This acceptance may be withdrawn at any time if the standard of the fitting installed fail to meet that of the approved sample or if the fitting is found to be unsuitable for use in fresh water plumbing systems.

This acceptance is only applicable to the main body of the fitting, unless otherwise specified.

For the use of the fitting in any project, the General Acceptance Number of this letter must be quoted as a means of identification of acceptance of the fitting by this Authority.

Should you have any enquiries, please contact our Engineer Mr. Terry KUNG at tel. no. 3583 4086.

Yours faithfully,



(CHAN Chung-kun)

for Director of Water Supplies

Encl.

c.c. WSD 3321/1/82] - without catalogue
ME/MC] - with soft copy only